



By appointment to The Royal Danish Court

**morsø**

since 1853

---

INDOOR COLLECTION UK







# CONTENTS

---

THE TRUTH ABOUT FIRE AND FLAMES . . . . .	5
THE WARM FEELING OF HOME . . . . .	7
2B CLASSIC & 2B STANDARD . . . . .	8
Ø4 & Ø6 . . . . .	10
1410 & 1000 MODEL SWIFT . . . . .	12
1400 . . . . .	14
2110 PANTER . . . . .	16
2800 SERIES . . . . .	18
3100 BADGER SERIES . . . . .	20
3410 . . . . .	22
6100 SERIES . . . . .	24
6600 SERIES . . . . .	26
6800 SERIES . . . . .	28
7110 - VIKING . . . . .	30
7400 SERIES . . . . .	32
7900 SERIES . . . . .	34
S11 SERIES . . . . .	36
4043 & 4143 . . . . .	38
4340 . . . . .	40
4400 SERIES . . . . .	42
5660 . . . . .	44
S80-90 . . . . .	46
S81 SERIES . . . . .	48
S101 . . . . .	50
S120 - S122 . . . . .	52
S140 - S160 . . . . .	54
ACCESSORIES . . . . .	56
HEARTH PLATES . . . . .	60
ENVIRONMENTALLY FRIENDLY COMBUSTION . . . . .	62



**SIA**

---

ecodesign  
ready

# THE TRUTH ABOUT FIRE AND FLAMES

---

Most of us will agree that there's no smoke without fire. However, isn't there a difference between crying 'Fire!' and the sound of a softly crackling wood stove? In the daily environmental debate, we tend to react strongly to even the most logical statements. For instance, what pollutes most: heating a summer cottage with a wood-burning stove, frying bacon or lighting two candles on a cosy evening?

Most people would probably guess the stove, logically enough, since we can both see and smell the smoke.

Even if science tells us that a wood-burning stove filled with dry, certified wood only accounts for a few percent of particulate emissions in a home, and that all the rest comes from clothes, cooking, candles and various other ordinary things, it's easy to assume that a cosy stove or candles are luxuries that environmentally responsible people should avoid.

When it comes to the environment and health, the truth is often more nuanced than a Facebook post by a politician or an article by an interest group, and the only certainty is that the amount of particulates in an average home is made up of such a complex combination of things that in reality it's up to you what you choose to believe.\* At the same time, the number of products

we use and consume every day, and the importance we attach to them, varies from person to person. This is why we as a society need the guidelines that have been developed to identify the benefits and harmful effects of various kinds of products. One such measure is EcoDesign 2022 which is a European standard that will ensure all stoves installed after 1st January 2022 will meet a minimum efficiency and maximum permitted carbon emissions. In relation to this, the UK Stove Industry Alliance has backed this Standard with the introduction of the SIA EcoDesign Ready label. This voluntary scheme aims to promote modern stoves that already meet the stringent requirements of EcoDesign 2022. Morsø currently have over 50 SIA EcoDesign Ready models, and while we don't deny there's no smoke without fire, we'd still claim that the smoke from a home with a Morsø stove is cleaner than much of the air that fans the flames of the environmental debate.

In any case we can assure you, or any other responsible and environmentally conscious person, that with both the EcoDesign 2022 and the SIA EcoReady labels in hand, you are free to browse this catalogue and pick out any one of the 50 SIA EcoReady labelled stoves from Morsø with a clean conscience.

Enjoy!

---

\* In their fine print, companies often say that they cannot be held responsible in certain cases where one of their claims does not apply. In this case, it is here to assure you that we mean exactly what we write. In Denmark, 80% of all unhealthy particulates in the open air come from abroad. The remaining 20% are thought to be a mixture of exhaust emissions from diesel cars and smoke from wood-burning stoves. However, one might wonder whether, for example, industry (and much else besides) doesn't also play a small role in producing the last 20% (?!). Humidity, wind and weather play a role too, and it is worth mentioning that firewood is considered carbon neutral, because wood binds carbon dioxide when it grows and releases the same amount again both when it burns and when it rots. Indoors, the story is just as complex, and the only thing everyone can completely agree on is that all the particulates from clothes, cooking, candles and stoves are academic if you smoke tobacco at home. Thankfully, that's up to the individual. Just as it is up to you to decide whether the heat from an eco-labelled wood-burning stove with clean wood is a plus or a minus in the overall environmental accounts.



Morsø 6843

# THE WARM FEELING OF HOME

---

In northern Europe, a relaxed and happy home is one of the most important things in life. Well entrenched in our comfortable homes we focus around the unique Danish term, hygge, a term which so many have tried to translate, hoping to recreate it somewhere else in the world. It has never really succeeded which is due in reality to one very simple reason. The term hygge cannot be defined because

it is a sense of wellbeing. Hygge is the name of a feeling and an atmosphere which is found in the very essence of our surroundings. It can be a smell, a warmth, a light in the dark or even the calmness in a crackling fire. Even the weather which so often returns us to the shelter of our homes, is a part of the thing we call Hygge. Hygge is a name. A cosy, inviting and safe name. Hygge is your home.

---

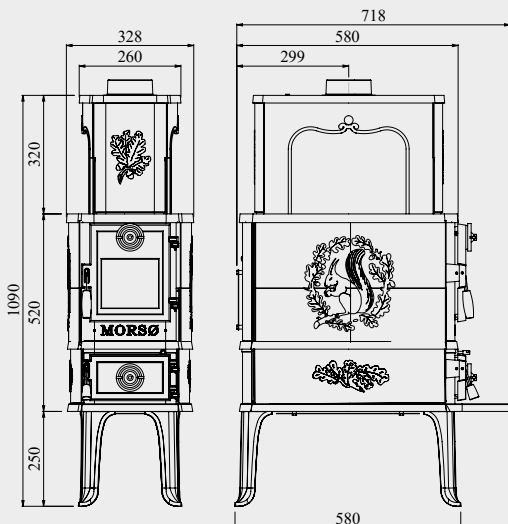
## 2B CLASSIC & 2B STANDARD



*Morsø 2B Classic*  
Item-no.: 64209421  
Height: 1090 mm



*Morsø 2B standard*  
Item-no.: 64209821  
Height: 708 mm



EN 13240 and Ecodesign2022 compliant.

**A**

Rated output Room*	.8 kW
Log length	.50 cm
Weight	106,5 kg / 61,5 kg
Efficiency net/gross	83/75,5%

Flue outlet, rear and top option

Internal Flue Diameter . . . . . 125 mm

Clearance to Combustibles

Sides . . . . . 850 mm

Rear. . . . . 400 mm

Soft Furniture. . . . . 800 mm





No past – no future. At the beginning of the 1930s, the sculptor, Constantin Sørensen, created this impressive radiant stove, featuring Morsø's well-known decoration of squirrel and oak leaves. Then, as today, the **Morsø 2B Classic** is in great demand, and with its almost stately appearance, the stove is perfect for patrician and farm style homes.

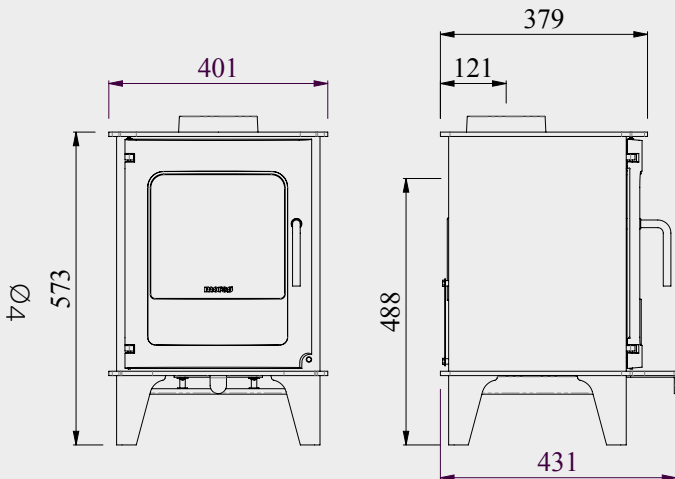
We have completely updated the combustion technology in the Morsø 2B Classic, so that it now meets today's stringent environmental requirements. There's almost no better way to have a fire than with the Morsø 2B Classic.

*Morsø 2B Classic*  
Item-no.: 64209421

Ø4



Morsø Ø4  
Item-no.: 63000121  
Hight: 573 mm



EN 13240 and Ecodesign2022 compliant.

A<sup>+</sup>

Rated output . . . . . 5 kW  
Log length . . . . . 28 cm  
Weight . . . . . 83 kg  
Efficiency net/gross: . . . . . 81/73,3%

Flue outlet, rear and top option  
internal ø. . . . . 125 mm

Clearance to Combustibles  
Top . . . . . 500 mm  
Sides . . . . . 550 mm  
Rear. . . . . 650 mm  
Soft Furniture. . . . . 700 mm

Optional outside air kit



Ø6



Morsø Ø6  
Item-no.: 63000221  
Hight: 633 mm

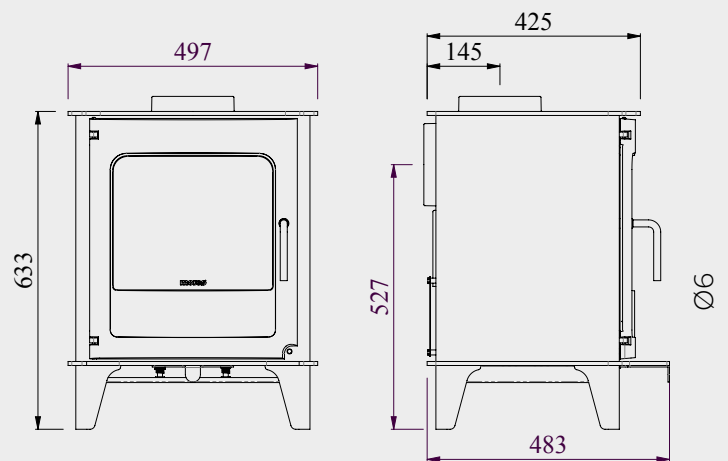
EN 13240 and Norwegian approved



Rated output . . . . .	. 7,7 kW
Log length. . . . .	. 37 cm
Weight . . . . .	. 110,5 kg
Efficiency net/gross: . . . . .	. 75/68,3%

Flue outlet, rear and top option  
internal Ø. . . . . 150 mm

Clearance to Combustibles	
Top . . . . .	. 600 mm
Sides . . . . .	. 600 mm
Rear. . . . .	. 700 mm
Soft Furniture. . . . .	. 1100 mm





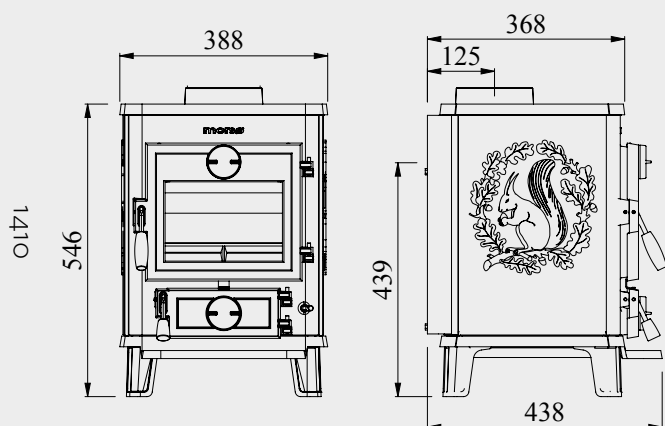
## 1410 SQUIRREL & 1000 MODEL - SWIFT



*Morsø 1410*  
Item-no.: 64141021  
Height: 546 mm



*Morsø 1000*  
Item-no.: 64100021  
Height: 546 mm



EN 13240 approved

**A**

Rated output . . . . .	4,5 kW
Log length . . . . .	28 cm
Weight . . . . .	70,5 kg
Efficiency net/gross: . . . . .	76/69%

Flue outlet, rear and top option  
internal ø. . . . . 125 mm

Clearance to Combustibles	
Top . . . . .	500 mm
Sides . . . . .	600 mm
Rear. . . . .	300 mm
Soft Furniture. . . . .	700 mm



Retaining the well-known Morsø details and straightforward operation, **Morsø 1000** is a well known member of the family of small classic Morsø stoves. Naturally, the delightful atmosphere, that many of us remember as something quite unique from past campfires, will be provided by the large glass area. **Morsø 1000** is carried out entirely in sturdy cast iron – the best imaginable material for woodburning stoves. Combustionwise, Morsø 1000 meets the strictest Danish environmental standards.

*Morsø 1000*  
Item-no.: 64100021

# 1400 SERIES

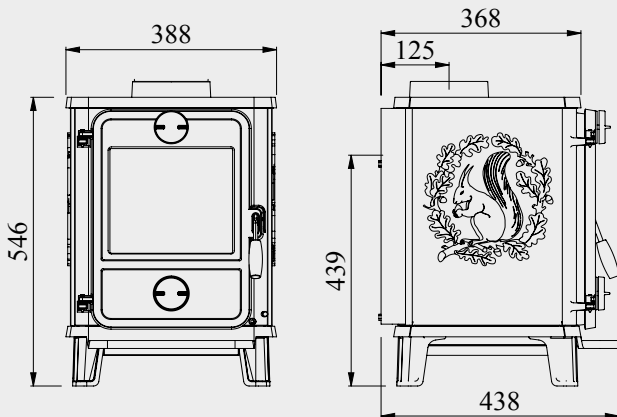


*Morsø 1412*  
Item-no.: 64140921  
Height: 546 mm



*Morsø 1442 with squirrel*  
Item-no.: 64146921  
Height: 715 mm

1412



EN 13240 and Ecodesign2022 compliant.



Rated output . . . . .	.5 kW
Log length . . . . .	.28 cm
Weight . . . . .	.72,5-89 kg
Efficiency net/gross: . . . . .	.83/75,5 %

Flue outlet, rear and top option  
internal ø. . . . . 125 mm

Clearance to Combustibles	
Top . . . . .	.500 mm
Sides . . . . .	.600 mm
Rear. . . . .	.200 mm
Soft Furniture. . . . .	.800 mm







A steady beating heart. **The Morsø 1400** is the quintessence of a charming stove. It represents what was the heart of many a home, what we know and remember from our childhood. The combustion technology of these classic stoves have since then been further developed and improved so that harmful particles and surplus gases are burnt off. That's why, today, the stoves fulfil the strictest environmental requirements and also bear the Nordic Swan Eco-label. Despite all improvements in technology there are some details which remain timeless and a sign of quality, so Morsø's characteristic squirrel can still be found on the sides. It also available with contemporary ribbed sides.

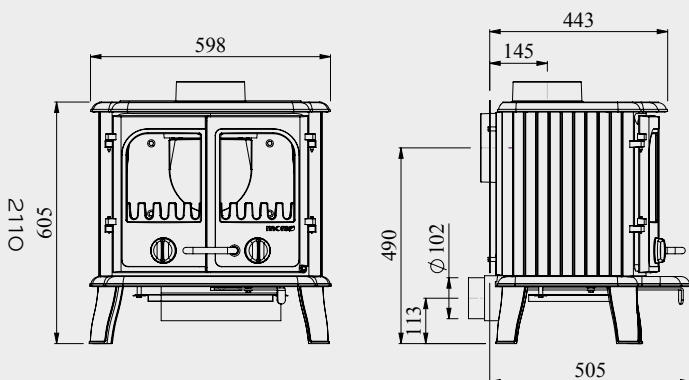


Morsø 1442  
Item-no.: 64146921

# 2110 - PANTHER



Morsø 2110  
Item-no.: 64180921  
Height: 605 mm



EN 13240 approved



Rated output . . . . .8 kW  
Log length. . . . .40 cm  
Weight . . . . .120 kg  
Efficiency net/gross: . . . . .72/65,5%

Flue outlet, rear and top option  
internal ø. . . . .155 mm

Clearance to Combustibles  
Top . . . . .500 mm  
Sides . . . . .400 mm  
Rear. . . . .200 mm  
Soft Furniture. . . . .800 mm



Nostalgic look, glowing with English charm. The cast-iron stove, which is very spacious and effective, was the creation of the English designers, Queensbury Hunt. Together with the English designers, we have created a powerful stove, which is a true representative of the proud Morsø tradition. The Morsø 2100-series has an extra wide combustion chamber, allowing the use of large-sized fuel. At the same time, the width of the doors facilitate large glass windows, allowing you to gaze at the slow crackling fire.

Morsø 2110  
Item-no.: 64180921



## 2800 SERIES



*Morsø 2840*  
Item-no. 64284021  
Height: 706 mm

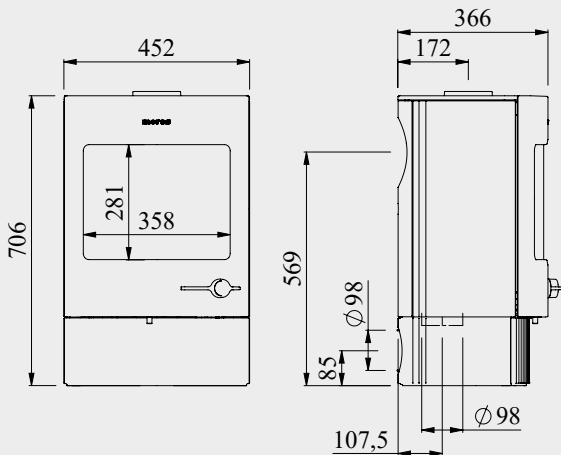


*Morsø 2848*  
Item-no. 64284821  
Height: 856 mm



*Morsø 2890 NEW*  
Item-no. 64289021  
Height: 947 mm

2840



EN 13240 and Ecodesign2022 compliant.

A\*

Rated output . . . . .	4,5 kW
Log length . . . . .	30 cm
Weight . . . . .	100,5-105,5 kg
Efficiency net/gross: . . . . .	81/73,7%

Flue outlet, rear and top option  
internal  $\phi$ . . . . . 125 mm

Clearance to Combustibles	
Top . . . . .	500 mm
Sides . . . . .	350 mm
Rear. . . . .	125 mm
Soft Furniture. . . . .	900 mm

Outside air kit available





The 2800 stove is a modern edition of the iconic squirrel stove, that has been redesigned down to the tiniest detail. This small and elegant cast-iron oven is the perfect choice for the weekend cottage or for smaller rooms. The simple and sophisticated design of the oven will naturally blends into the surrounding interior decoration style, as – at one and the same time – the oven signals the classic in an entirely new and contemporary mode of expression. The fine shape is beautifully framed by the ribbed sides, just like the functional handle gives the front of the oven a unique and modern appearance.



Morsø 2840  
Item-no.: 64284021

# 3100 BADGER SERIES



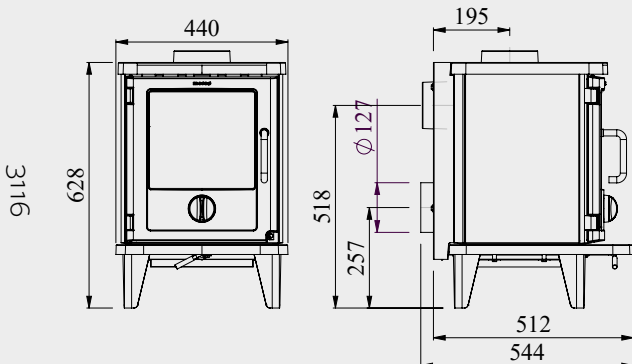
*Morsø 3112*  
Item-no.: 64311321  
Height: 630 mm



*Morsø 3116*  
Item-no.: 64311821  
Height: 628 mm



*Morsø 3142*  
Item-no.: 64315521  
Height: 739 mm



EN 13240 and Ecodesign2022 compliant.



Rated output . . . . .	5 kW
Log length. . . . .	32 cm
Weight . . . . .	94,5-109,5 kg
Efficiency net/gross: . . . . .	81/73,7%

Flue outlet, rear and top option  
internal ø. . . . . 125 mm

Clearance to Combustibles	
Top . . . . .	500 mm
Sides . . . . .	600 mm
Rear. . . . .	200 mm
Soft Furniture. . . . .	800 mm

\*Optional outside air kit available  
(to use stove as woodburner only)







The **Morsø 3100** series incorporates the best from the classic Morsø design, but takes advantage of the latest combustion principles.

Efficient and environmentally friendly multi-fuel stoves **The 3112** is equipped with riddling grate and ashpan, making it easy to remove ash and clean the stove. It is manufactured using the latest combustion principles with tertiary air supply and meet the most stringent environmental requirements. It can be fired with wood, briquettes or approved smokeless fuel and is suitable for heating areas of up to 75 cubic metres.

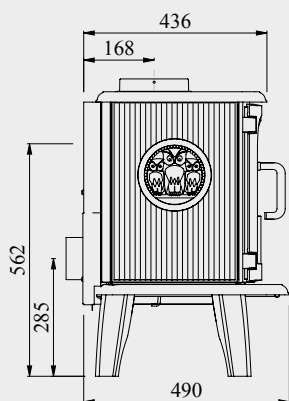
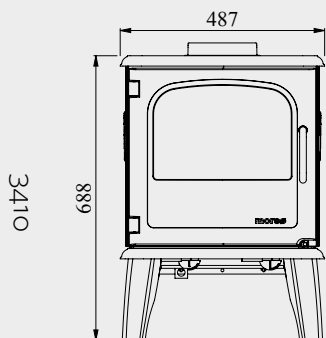


*Morsø 3116*  
Item-no.: 64311821

# 3410 OWL



Morsø 3410 with owl sides  
 Item-no.: 64341021  
 Height: 688 mm



EN 13240 and Ecodesign2022 compliant.



Rated output . . . . . 6,5 kW  
 Log length. . . . . 36 cm  
 Weight . . . . . 101,5-119 kg  
 Efficiency net/gross: . . . . . 80,1/72,9%

Flue outlet, rear and top option  
 internal ø. . . . . 155 mm

Clearance to Combustibles  
 Top . . . . . 500 mm  
 Sides . . . . . 350 mm  
 Rear. . . . . 350 mm  
 Soft Furniture. . . . . 800 mm

3410





We designed the **Morsø 3410** stove together with the well-known, English design company, Queensbury Hunt Levien, retaining the classic Morsø lines and stylish look, while also integrating an advanced combustion system. The wide door with large stove glass provides a wonderful view of the flames, helping create both mood and heat in the home.



Morsø 3410  
Item-no.: 64341021



## 6100 SERIES



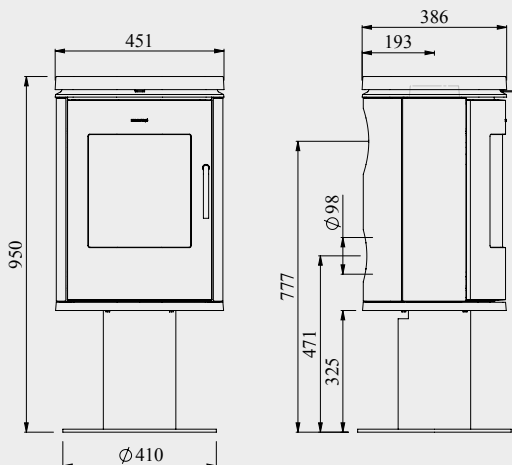
*Morsø 6140*  
Item-no.: 64610521  
Height: 753 mm



*Morsø 6143*  
Item-no.: 64611621  
Height: 944 mm



*Morsø 6148*  
Item-no.: 64610621  
Height: 950 mm



EN 13240 and Ecodesign2022 compliant.



Rated output . . . . .	5 kW
Log length. . . . .	30 cm
Weight . . . . .	102,5-116 kg
Efficiency net/gross: . . . . .	80.1/72.9%

Flue outlet, rear and top option  
internal ø. . . . . 125 mm

Clearance to Combustibles	
Top . . . . .	500 mm
Sides . . . . .	400 mm
Rear. . . . .	150 mm
Soft Furniture. . . . .	900 mm

Optional outside air kit available





The **Morsø 6100-series** fans the flames. The stove's unique combustion system helps ensure a higher temperature in the combustion chamber, which means it burns off the flue gases. This provides you with a cleaner and more environmentally-friendly combustion and a higher level of efficiency, guaranteeing you good fuel economy. Furthermore, the elegantly designed glass door and hidden mountings provide a good view of the fire and flames. The Morsø 6100-series are 80.1% net efficient with almost no smoke emissions.

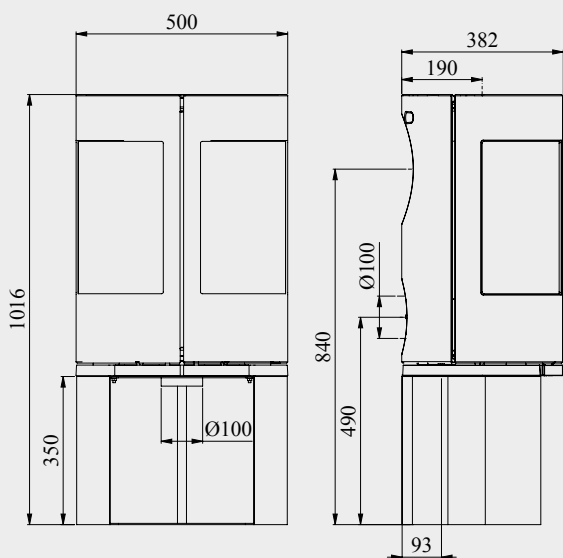


*Morsø 6148*  
Item-no.: 64610421

# 6643



Morsø 6643  
Item-no.: 64660022  
Height: 1016 mm



EN 13240 and Ecodesign2022 compliant.



Rated output . . . . . 5 kw  
Log length. . . . . 35 cm  
Weight . . . . . 123,5-144 kg  
Efficiency net/gross: . . . . . 80/72,8%

Flue outlet, rear and top option  
internal ø. . . . . 155 mm

Clearance to Combustibles  
Top . . . . . 500 mm  
Sides . . . . . 550 mm  
Rear. . . . . 150 mm  
Soft Furniture. . . . . 800 mm

Optional outside air kit available







With **the Morsø 66430** stove, the renowned Morsø brand has successfully produced a stove that sets entirely new standards and captivates onlookers with a surprising elegance and lightness. What's more, the view of the flames is bigger than it has ever been before. The stoves elliptical shape is complimented by a unique double door maximising the glass area. This provides a spectacular 180 degree view of the flames. The beautiful view of the flames is further enhanced by the gold tinted vermiculite that, like the stoves internal background view, is decorated with the legendary Morsø squirrel on the baffle – proof that this is a genuine Morsø stove.

Morsø 6643  
Item-no.: 64660022

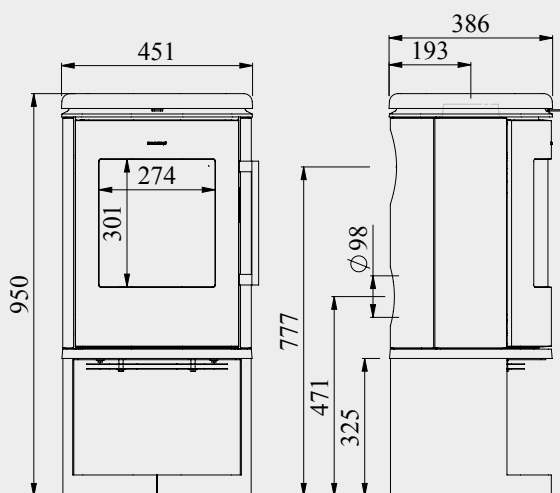
## 6800 SERIES



*Morsø 6843*  
Item-no.: 64680321  
Height: 950 mm



*Morsø 6848*  
Item-no.: 64680421  
Height: 950 mm



EN 13240 and Ecodesign2022 compliant.



Rated output	5 kW
Log length	30 cm
Weight	103,5-117 kg
Efficiency net/gross	80.1/72.9%

Flue outlet, rear and top option  
internal  $\phi$  125 mm

Clearance to Combustibles	
Top	500 mm
Sides	400 mm
Rear	150 mm
Soft Furniture	900 mm

Optional outside air kit available





The **Morsø 6800-series** is Morsø's well-loved ellipse cast iron stove with an elegant rounded-off top that emphasises its organic shape. The beautiful rustic cast iron suits and enhances any home. Deep in the heart of the stove the famous squirrel can be seen, bringing joy and warmth with the aid of the flames. The door handle stays cool during use, and conceals an elegant solution with a self-closing door.



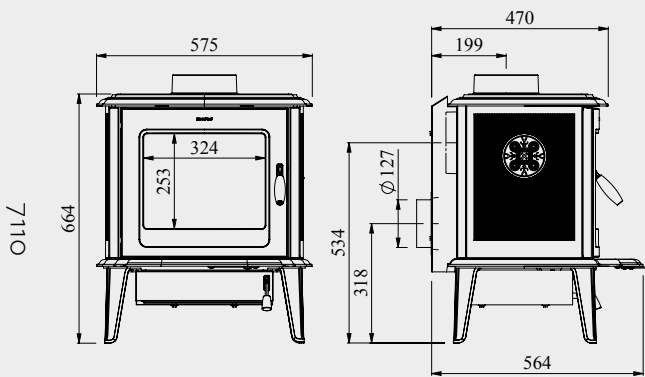
Morsø 6843  
Item-no.: 64680321



# 7110 - VIKING SERIES



Morsø 7110  
Item-no.: 64710921  
Height: 664 mm



EN 13240 and Ecodesign2022 compliant.



Rated output . . . . .	5,4 kW
Log length. . . . .	40 cm
Weight . . . . .	118,5 kg
Efficiency net/gross: . . . . .	75,5/68,7%

Flue outlet, rear and top option  
internal  $\varnothing$ . . . . . 155 mm

Clearance to Combustibles	
Top . . . . .	500 mm
Sides . . . . .	500 mm
Rear. . . . .	300 mm
Soft Furniture. . . . .	1000 mm

Optional outside air kit available





The **Morsø 7110** wood stove , like all Morsø cast iron stoves, has a very large glass panel without any interfering bars and a superior air wash system to keep the glass clean for an unobstructed view of the fire. Designed with Scandinavian simplicity, the Morsø 7110 with sharp edges and straight lines are combined with classical American elements such as the horizontal design and distinct profiles in the top and bottom plates. Whether you have a contemporary-designed home or a classical one, the Morsø 7110 will seamlessly blend in to make your home cozy and warm.

*Morsø 7110*  
Item-no.: 64710921

## 7400 SERIES



*Morsø 7440*  
Height: 896 mm



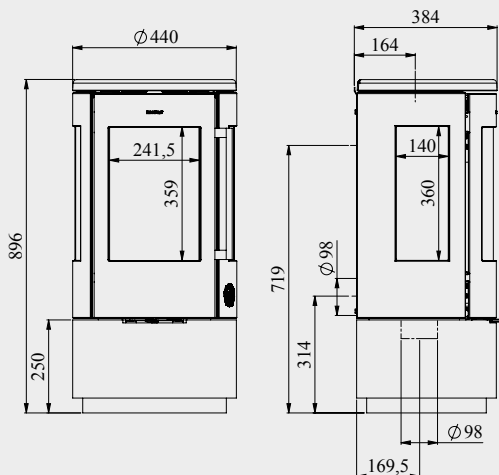
*Morsø 7443*  
Height: 997 mm



*Morsø 7449*  
Height: 1111 mm



*Morsø 7470*  
Height: 696 mm



EN 13240 and Ecodesign2022 compliant.

A<sup>+</sup>

Rated output . . . . .	4,3 kW
Log length. . . . .	23 cm
Weight . . . . .	108,5-116,5 kg
Efficiency net/gross: . . . . .	82/74,5%

Flue outlet, rear and top option  
internal  $\varnothing$ . . . . . 125 mm

Clearance to Combustibles	
Top . . . . .	500 mm
Sides . . . . .	450 mm
Rear. . . . .	200 mm
Soft Furniture. . . . .	850 mm

Optional outside air kit available







**Morsø 7400-series** takes the best qualities of modern wood burning stoves and uses them to give the consumer a modern take on a classic design. At the same time the series celebrates Morsø's 160th anniversary and, for the first time presents the newly redesigned "Squirrel" motif. This motif decorates the matt black side of the stove and emphasizes the quality finish whilst celebrating our 160 year history as the leading manufacturer of high quality wood burning stoves.



Morsø 7449

# 7900 SERIES



*Morsø 7940*  
Height: 1032 mm



*Morsø 7943*  
Height: 1157 mm



*Morsø 7943 with door*  
Height: 1157 mm



*Morsø 7948*  
Height: 1157 mm

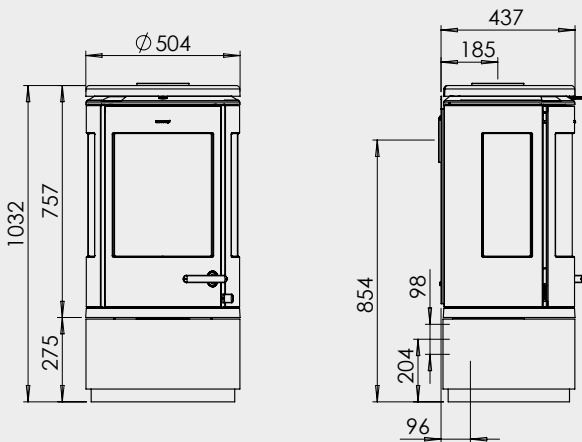


*Morsø 7970*  
Height: 757 mm



*Morsø 7993*  
Height: 1357 mm

7940



EN 13240 and Ecodesign2022 compliant.

A

Rated output . . . . .	7,3 kW
Log length. . . . .	33 cm
Weight . . . . .	151,5-166 kg
Efficiency net/gross: . . . . .	79/71,9%

Flue outlet, rear and top option  
internal ø. . . . . 155 mm

Clearance to Combustibles	
Top . . . . .	500 mm
Sides . . . . .	700 mm
Rear. . . . .	125 mm
Soft Furniture. . . . .	900 mm

Optional outside air kit available  
7940, 7942, 7943 and 7993 only



With **the Morsø 7900-series**, Morsø has worked with the designer Monica Ritterband to develop and create a new series of cast iron wood-burners, whose functionality and design suit any home - and of course with quality as the key.

The Morsø 7900-series is an innovative design based on a modular system, that makes it possible to customise each wood-burning stove to suit individual needs, both in terms of design and functionality.



Morsø 7943

## S11 SERIES



Morsø s11-40  
Height: 583 mm

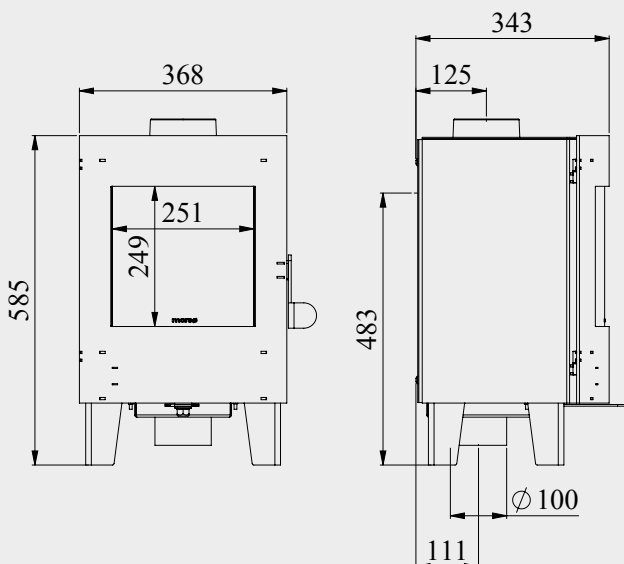


Morsø s11-42  
Height: 585 mm



Morsø s11-43  
Option: Door or closed base  
Height: 773 mm

S11-42



EN 13240 and Ecodesign2022 compliant.

A

Rated output . . . . . 4 kW  
Log length. . . . . 25 cm  
Weight . . . . . 61-70 kg  
Efficiency net/gross: . . . . . 83,4/75,9%

Flue outlet, rear and top option  
internal  $\varnothing$ . . . . . 125 mm

Clearance to Combustibles  
Top . . . . . 500 mm  
Sides . . . . . 320 mm  
Rear. . . . . 240 mm  
Soft Furniture. . . . . 800 mm

Optional outside air kit available







**The Morsø S11 range** is the epitome of simple, timeless design. When designing the stove, we attached a great deal of importance to creating an expression with exciting contrasts. Tight lines and soft curves. The steel's minimalistic and light expressions serve as the perfect counterbalance to the stove's large glass door, which affords a generous view of the beautiful and warming flames. The S11 stoves make up a well-designed and inspired range within the category for low heating requirements.



Morsø s11-42

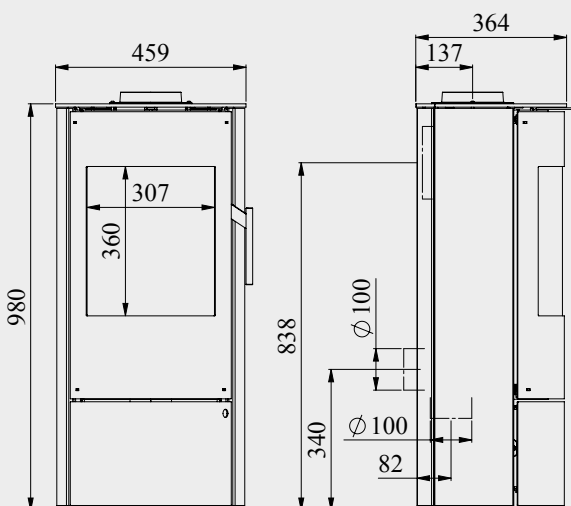
## 4043 & 4143



*Morsø 4043*  
Item-no.: 65404321  
Height: 980 mm



*Morsø 4143*  
Item-no.: 65414321  
Height: 1008 mm



EN 13240 and Ecodesign2022 compliant.

**A+**

Rated output . . . . .	5 kw
Log length. . . . .	30 cm
Weight . . . . .	98-124 kg
Efficiency net/gross: . . . . .	81,3/74%

Flue outlet, rear and top option  
internal ø. . . . . 125 mm

Clearance to Combustibles	
Top . . . . .	.500 mm
Sides . . . . .	.400 mm
Rear. . . . .	.200 mm
Soft Furniture. . . . .	.800 mm

Optional outside air kit available



The **Morsø 4043** is a unique stove that – owing to its unpretentious and functional design – is easily fitted into most homes. The height combined with the unadorned surfaces and the impressive view of the fire are very characteristic elements of this stove. Morsø 4043 has a dependable burning chamber that contributes to the stove's user-friendliness when topping up with additional firewood. This stove not only meets the strictest environmental standards, it is also equipped with a handle that will always remain cold.

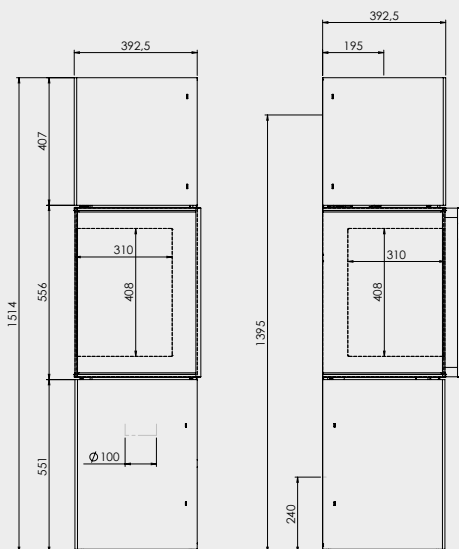


Morsø 4043  
Item-no.: 65404321

# 4340



*Morsø 4340*  
 Item.-no.: 64434021  
 Height: 1514 mm



EN 13240 and Ecodesign2022 compliant.



Rated output . . . . .	4,5 kW
Log length. . . . .	33 cm
Weight . . . . .	151 kg
Efficiency net/gross: . . . . .	82,8/75,3%

Flue outlet, rear and top option  
 internal ø. . . . . 125 mm

Clearance to Combustibles	
Top . . . . .	500 mm
Sides . . . . .	800 mm
Rear. . . . .	100 mm
Soft Furniture. . . . .	800 mm

Optional outside air kit available





With its minimalistic and stylish shape, the Morsø 4340 blends in with its surroundings, where function and decoration go hand in hand.

It's made from black steel, which on a design level creates the perfect match for the black-edged glass sections and the slender, matt-polished steel handle.

The **Morsø 4340** captures its surroundings with a visual charm - its slender and timeless exterior slides almost imperceptibly in, becoming an integral part of the room.

The spectacular glass door, exposing the view of the flames to the side and front, is easy to open and close with its elegant handle, designed as an integral part of the door. The automatic closing system ensures the door shuts tightly with suction you can barely hear.

The stove is fitted to the outside air connection at the back and bottom with an integral outside air box.

*Morsø 4340*  
Item-no.: 65434021

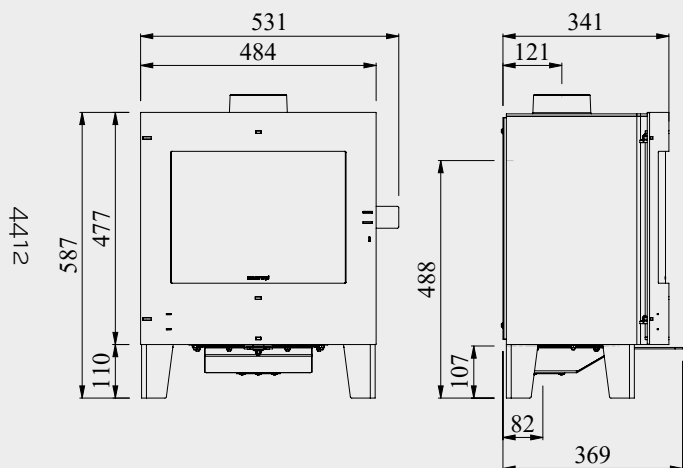
## 4400 SERIES



Morsø 4412 - 110 mm legs  
Height: 587 mm



Morsø 4441 - side base 200 mm  
Height: 677 mm



EN 13240 and Ecodesign2022 compliant.



Rated output . . . . . 5 kW  
Log length. . . . . 40 cm  
Weight . . . . . 85-98 kg  
Efficiency net/gross: . . . . . 82,3/74,9%

Flue outlet, rear and top option  
internal ø. . . . . 125 mm

Clearance to Combustibles  
Top . . . . . 500 mm  
Sides . . . . . 450 mm  
Rear. . . . . 300 mm  
Soft Furniture. . . . . 1100 mm

Optional outside air kit available







#### The 4400 Series

A popular addition to our range of steel stoves the 4400 series offers a unique large landscape door with a panoramic view of the firebox and flame picture.

Developed with the U.K. market specifically in mind the 4400 offers sleek clean lines to compliment any living space where style and comfort go hand in hand. The addition of a functional "magnetic" locking mechanism and a variety of base /leg options makes the 4400 the perfect choice for any modern stove enthusiast.

The 4400 series is DEFRA approved making it suitable to burn wood in smoke controlled areas, EN13240 and Ecodesign 2022 compliant and also offers the added convenience of an optional outside air kit.

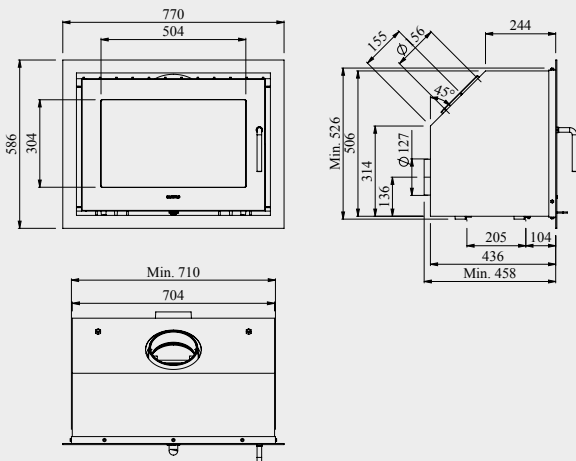


Morsø 4412

# 5660



Morsø 5660 - insert  
 Item-no.: 64566221  
 Height: 586 mm



EN 13229 approved and Ecodesign2022 compliant.



Rated output . . . . . 7,3 kW  
 Log length . . . . . 58 cm  
 Weight . . . . . 125 kg  
 Efficiency net/gross: . . . . . 82/74,6%

Flue outlet, rear and top option  
 internal Ø. . . . . 155 mm

Clearance to Combustibles  
 Sides . . . . . 400 mm  
 Rear. . . . . 100 mm  
 From Floor . . . . . 300 mm

Outside Air Kit available





An original wood-burning stove & the joys of a crackling fire Morso is adding yet another great product to its extensive range of wood burning stoves, the **Morso 5660** insert.

Continuing the Morsø heritage, the 5660 is manufactured in high grade cast iron; a strong, durable material particularly well-suited for freestanding stoves and especially wood burning inserts.

Creating comfort and cosiness in any home The Morso 5660 insert is probably the cleanest and most modern appliance in its class. The natural, vivid texture of the cast iron surface makes for a rustic yet elegant appearance.

Relative to its size, the 5660 insert has a large 'air-washed' window, that provides beautiful unbroken view of the dancing flames within. The simple design of the 5660 insert will create comfort and cosiness in any home.

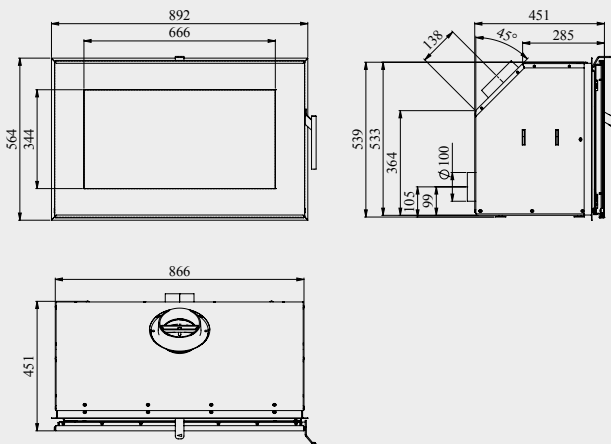
*Morsø 5660*  
Item-no.: 64566221

# S80-90



Morsø S80-90 - insert  
 Item-no.: 65800121  
 Height: 564 mm

06-08 S



A

EN 13229 approved and Ecodesign2022 compliant.

Rated output . . . . .	8 kW
Log length. . . . .	67 cm
Weight . . . . .	124 kg
Efficiency net/gross: . . . . .	84.4/76.7%

Flue outlet, rear and top option  
 internal ø. . . . . 155 mm

Clearance to Combustibles	
Sides . . . . .	400 mm
Rear. . . . .	200 mm
From Floor . . . . .	300 mm

Outside Air Kit available



The **Morsø S80-90** has been conceived of as a painting. A simple and outstanding picture frame, which frames the flames in an elegant and stylish way. One of the basic ideas behind the design is for the glass door to be perceived as a floating surface and highlight the lightness of the design. The stove is inspired by a modern flat screen TV, whose slim design and lightweight appearance creates the illusion of a beautiful picture hanging on the wall.

*Morsø S80-90*  
Item-no.: 65800121

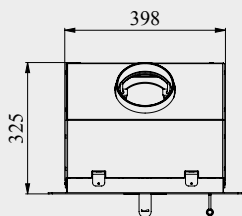
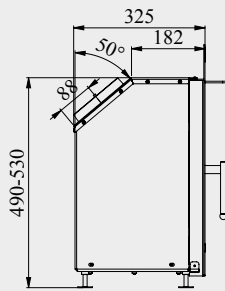
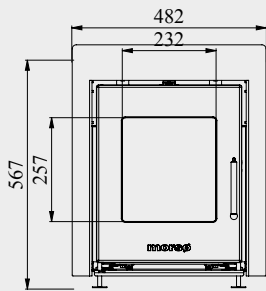
# S81



Morsø S81-91 - black frame  
Height: 567 mm



Morsø S81-93 - brushed steel frame  
Height: 567 mm



EN 13229 approved and Ecodesign2022 compliant.

Rated output . . . . .	4 kW
Log length . . . . .	25 cm
Weight . . . . .	58 kg
Efficiency net/gross: . . . . .	88/80,5%

Flue outlet, rear and top option  
internal ø. . . . . 125 mm

Clearance to Combustibles  
Sides . . . . . 225 mm  
Rear. . . . . 100 mm  
From Floor . . . . . 150 mm

Outside Air Kit available







The **Morsø S81** is a different and exciting insert, specially designed for smaller rooms. This stylish fireplace stands out for its modern appearance, in which steel and cast iron complement each other to best effect.

The stove door is in the well known Morsø quality cast iron, while the surrounding frame is available in dark anthracite grey or brushed steel.



*Morsø S81-91*

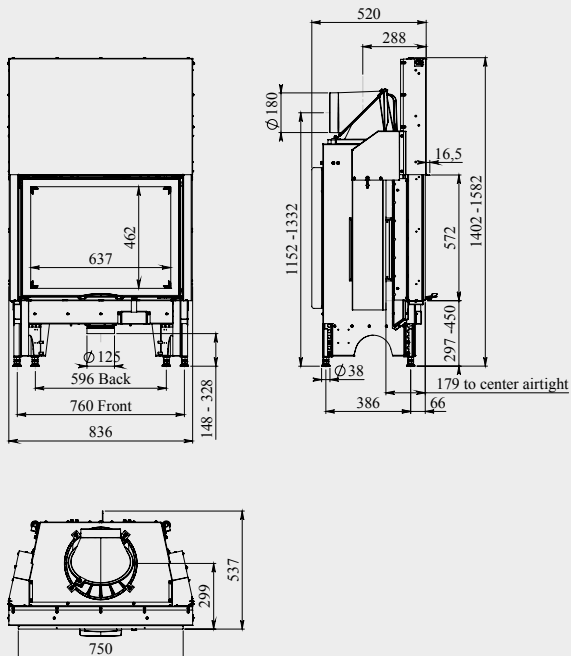
# S101-11 / S101-12



*Morsø S101-11\**  
*one-sided with hinged door*  
*Item-no.: 65754721*

*Morsø S101-12\**  
*one-sided with sliding door*  
*Item-no.: 65755021*

S101-12



EN 13229 approved and Ecodesign2022 compliant.



Width (built in) . . . . .	805 mm
Height (built in) . . . . .	1339-1539 mm
Depth (built in) . . . . .	602 mm
Weight . . . . .	156 kg
Nominal output . . . . .	10 kW
Efficiency (net/gross) . . . . .	83.4/76%
Flue outlet . . . . .	Ø 155 mm

**Accessories:**

- 2 pcs. 455 mm Morsø Heating Grilles are needed
- one above and one below
- Decorative frame
- Flue Collar Adapter Ø180-150 mm

\*For full dimensional details please see website



**Morsø S101 series** are advanced inset fireboxes, that both meets the strictest environmental requirements and reflects our strong traditions of workmanship.

The built in fireplaces distribute the heat efficiently throughout the room and leads to truly comfortable warmth. We all remember open fireplaces, but they have the unfortunate disadvantage that, just like a camp fire, they cause radiation in front and draughts behind. We avoid this by using a firebox, as the convection air in the stove mixes with the air in the room and distributes the heat. This gives the greatest possible comfort near the fireplace.

*Morsø S101-12*  
Item-no.: 65755021

## S120 /S121 /S122



Morsø S120-21 - two-sided with hinged door\*  
Item-no.: 65753921

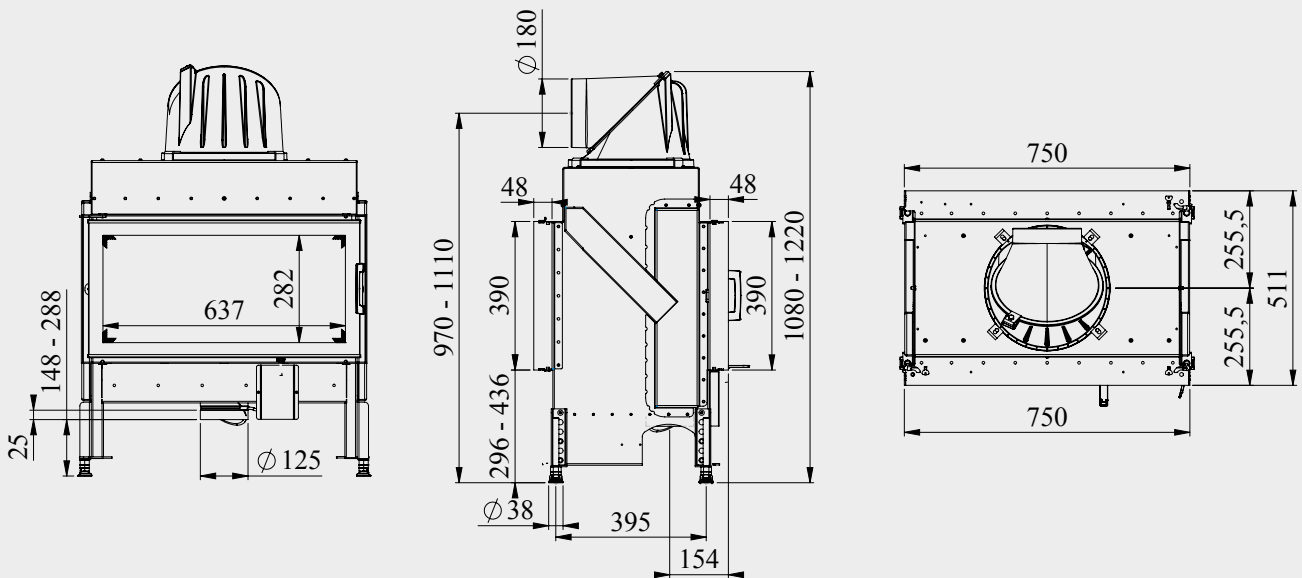


Morsø S121-21\*  
one-sided with hinged door  
Item-no.: 65754121



Morsø S122-22\*  
one-sided with sliding door  
Item-no.: 65754221

S 120-21



**Accessories:**

- 3 pcs. 455 mm Morsø Heating Grilles are needed – two above and one below
- Decorative frame
- Flue Collar Adapter Ø180-150 mm

EN 13229 approved and Ecodesign2022 compliant.

Width (built in)	800 mm
Height (built in)	1125-1325 mm
Depth (built in)	527 mm
Weight	129 kg
Nominal output	10 kW
Efficiency (net/gross)	80,9/73,6%
Flue outlet	Ø 155 mm





All **Morsø S120 - S122** inserts have a through wall firebox with glass on both sides, allowing the flames, fire and warmth to be enjoyed in two separate areas at the same time.

The wide format of the stove will spread comfort through any home. The built in fireplace fits in perfectly with stylish furnishings, and the aesthetic effect of the flames inspires thoughts of a beautiful painting or a modern flat screen TV.

The Morsø 120 tunnel inset fireplace can be supplied either with a folding door, which gives a fantastic view of the flames (S120-21) or with a frictionless guillotine door. (S120-22)

*Morsø S120-21*  
Item-no.: 65753921

## S140 /S160

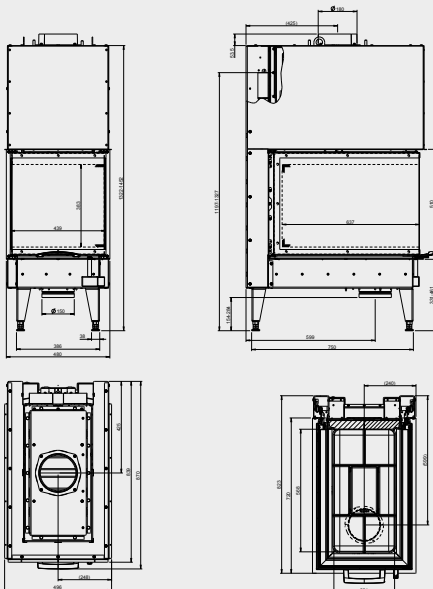


*Morsø S140-41\**  
corner with hinged door  
Item-no.: 65754421

*Morsø S140-42\**  
corner with sliding door  
Item-no.: 65754521



*Morsø S160-32\**  
three-sided with sliding door  
Item-no.: 65755821



S 160-32

EN 13229 approved and Ecodesign2022 compliant.



**Compact**

Width (built in) . . . . .	550 mm
Height (built in) . . . . .	1395-1525 mm
Depth (built in) . . . . .	700 mm
Weight . . . . .	217 kg
Nominal output . . . . .	10 kW
Efficiency (net/gross) . . . . .	.81/73,7%
Flue outlet . . . . .	Ø 155 mm

**Accessories:**

- 2 pcs. 455 mm Morsø Heating Grilles are needed
- one above and one below
- Decorative frame
- Support stand + support frame
- Flue Collar Adapter Ø180-150 mm.

\*For full dimensional details please see website





Enjoy the fire and the dancing flames in an entirely new way! With its uninterrupted, 3-sided glazing, the **Morsø S-160-32** is the closest you can get to an invisible stove - visually an open fireplace.

The large continuous glass door gives a 3-dimensional and unhindered view of the fire. Morsø S160-32 opens up entirely new options for room layouts and stands out as a central feature of the house, leading to an exceptional class of exclusivity.

The inset is supplied with a frictionless rise-and-fall door closer that elegantly disappears behind the wall.

Morsø S160-32  
Item-no.: 65755821

ACCESSORIES



62916421  
Morsø Curva  
Poker

62916521  
Morsø Curva Fire Tools



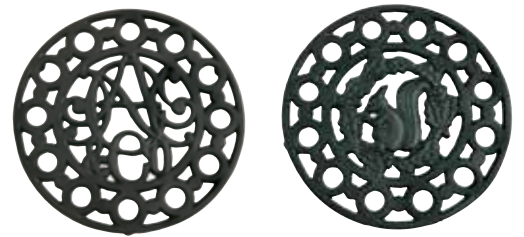
62917021  
Morsø Loop Fire Tool Set



62912200  
Morsø Canvas Wood Carrier



62917121  
Morsø Complete Fire Tools 40 cm



61753201  
Morsø Cast Iron Trivet with N.A.C. Logo

61753301  
Morsø Cast Iron Trivet with squirrel

62905700  
Morsø Ash & Storage Bucket



Morsø Assembly & Maintenance





62917421  
*Morsø Ellipse Fire Tools*



Recht: 62900700 / Links: 62900800  
*Morsø Leather Glove left/right*



62920521  
*Morsø Firewood Box*



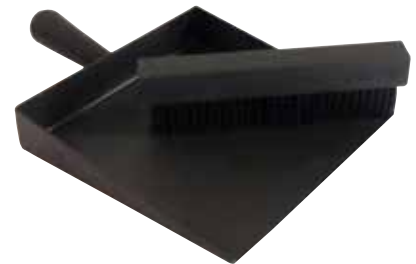
62901200  
*Morsø Flue Gas Thermometer*



62900221  
*Morsø Classic Fire Tools*  
69 cm



62929900  
*Morsø Moisture Meter*



62917221  
*Morsø Dustpan & Broom*



62853479  
*Morsø Cast Iron Humidifier 2,0 L*

61853079  
*Morsø Cast Iron Humidifier 4,5 L*



62900421  
*Morsø Firewood Bucket 32 x 40 cm*

62920421  
*Morsø Firewood Bucket 34 x 45 cm*



62916300  
*Morsø Curva Log Carrier*



62906821  
*Morsø Child Guard 110 x 110 x 70 cm*



62906121  
*Morsø Conform Fire Tools*





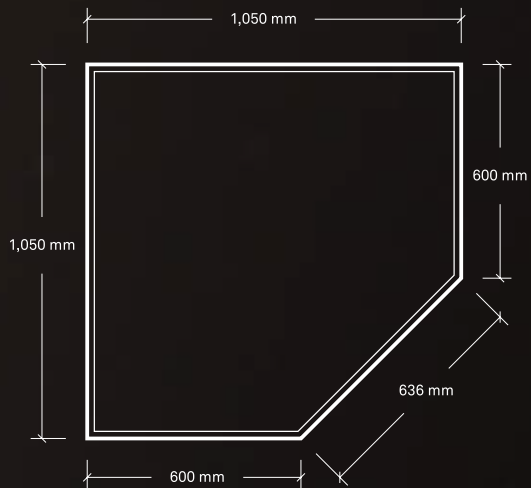


## elegant & exclusive

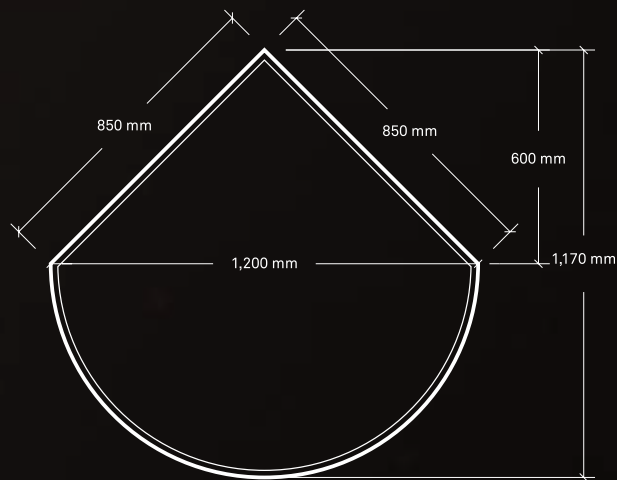
Morsø have been at the forefront of high quality cast iron stoves for more than 160 years. We now offer a superb range of glass hearth plates to compliment any installation.



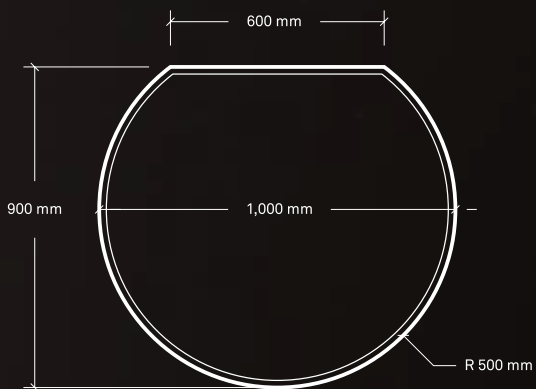




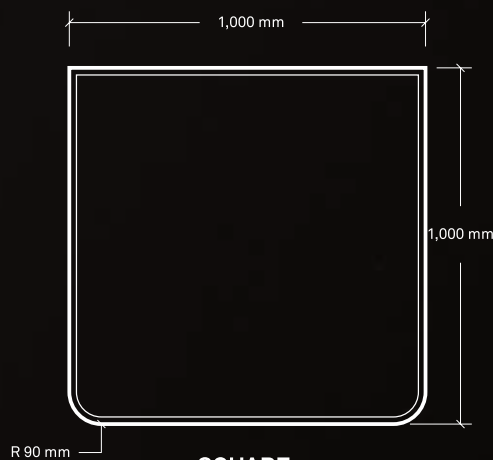
**CORNER – ANGLED FRONT**



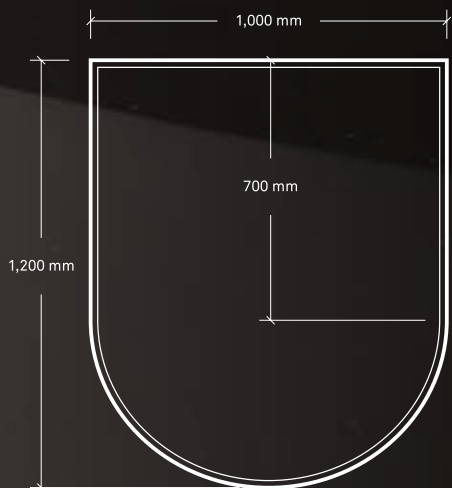
**CORNER – CIRCULAR FRONT**



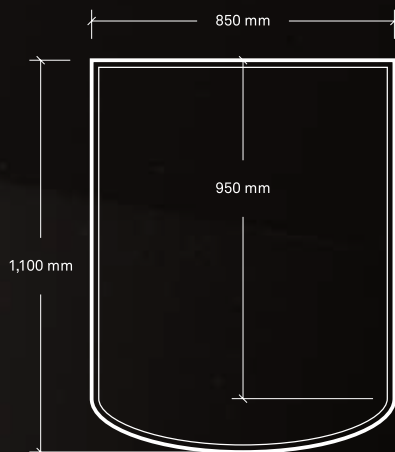
**FLAT BACK CIRCLE**



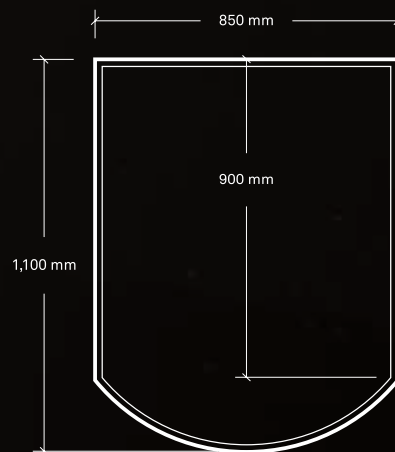
**SQUARE**



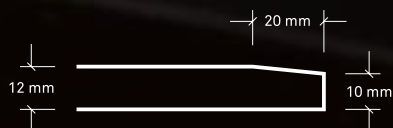
**CIRCULAR FRONT**



**CURVED FRONT  
(Clear Only)**

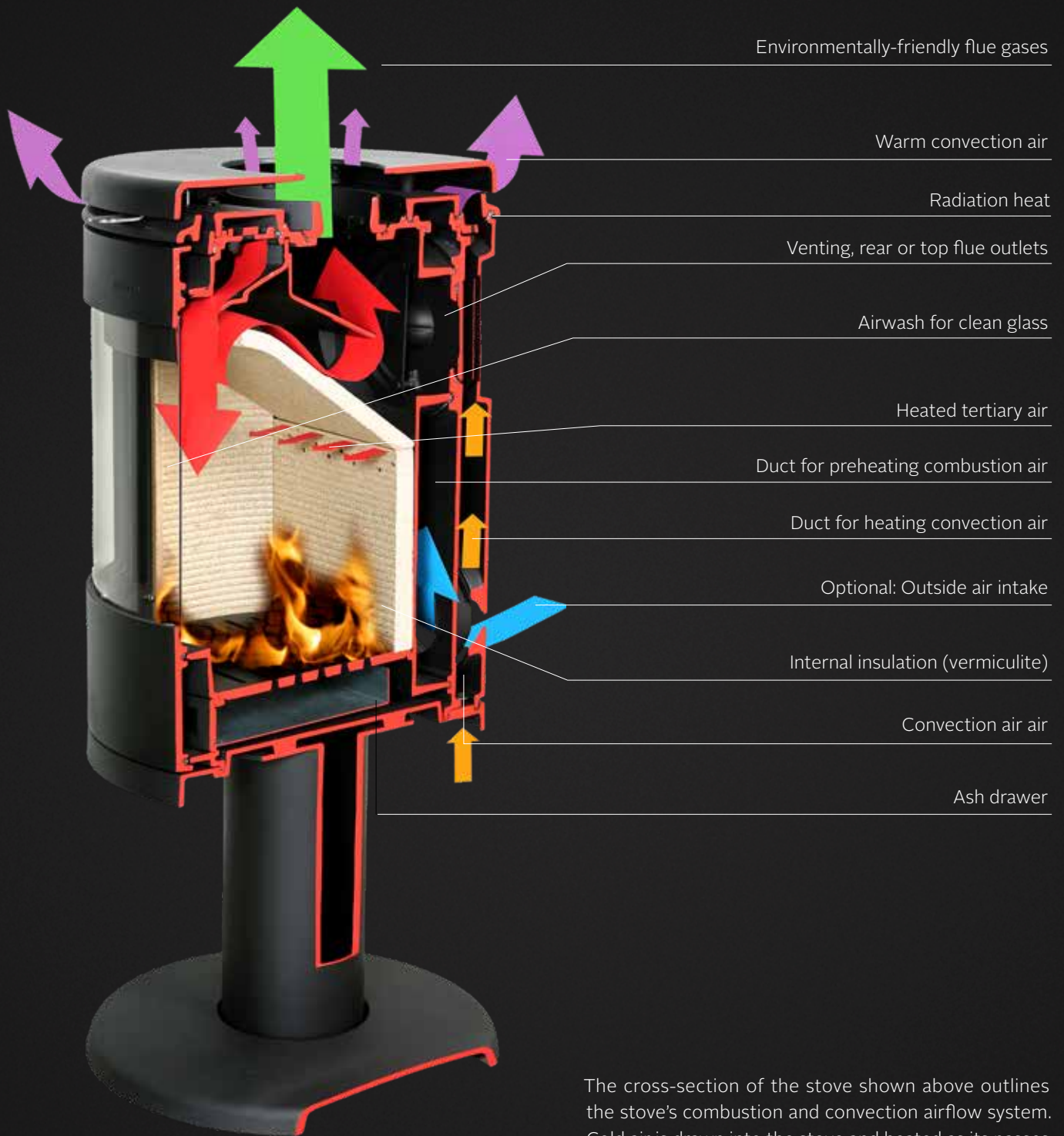


**CURVED FRONT  
(Black & Opaque Only)**



**BEVEL EDGE SECTION  
(Actual Size)**

# ENVIRONMENTALLY FRIENDLY COMBUSTION



The cross-section of the stove shown above outlines the stove's combustion and convection airflow system. Cold air is drawn into the stove and heated as its passes through the cast iron channels (the heated air washes the glass keeping it clean, clear and free from soot). The hot air also provides perfectly heated combustion air (in addition the heated tertiary air aids secondary combustion of any smoke and gasses, increasing efficiency and reducing the environmental impact).



We're hot for fire. One of our most important areas of expertise is the production of environmentally-aware stoves, and we happily describe ourselves as experts in combustion technology.



---

In 1853 the young N.A Christensen left his job as an accountant to start an adventure involving an iron foundry. An adventure which started in a factory building in Nykøbing Mors. Despite tough competition from the foundries in the larger cities, it would turn out that a small collection of smiths, lathe and wood workers, created an icon which managed to reach far beyond the city it was created in. An icon created through innovation, built on design, quality and of great craftsmanship, and which therefore always stand comfortably in any home whether in Denmark or abroad. An icon we all know as Morsø.

---



By appointment to The Royal Danish Court

**morsø**  
since 1853

---

[morsoe.com](http://morsoe.com) · [#morsomoments](https://twitter.com/morsomoments)